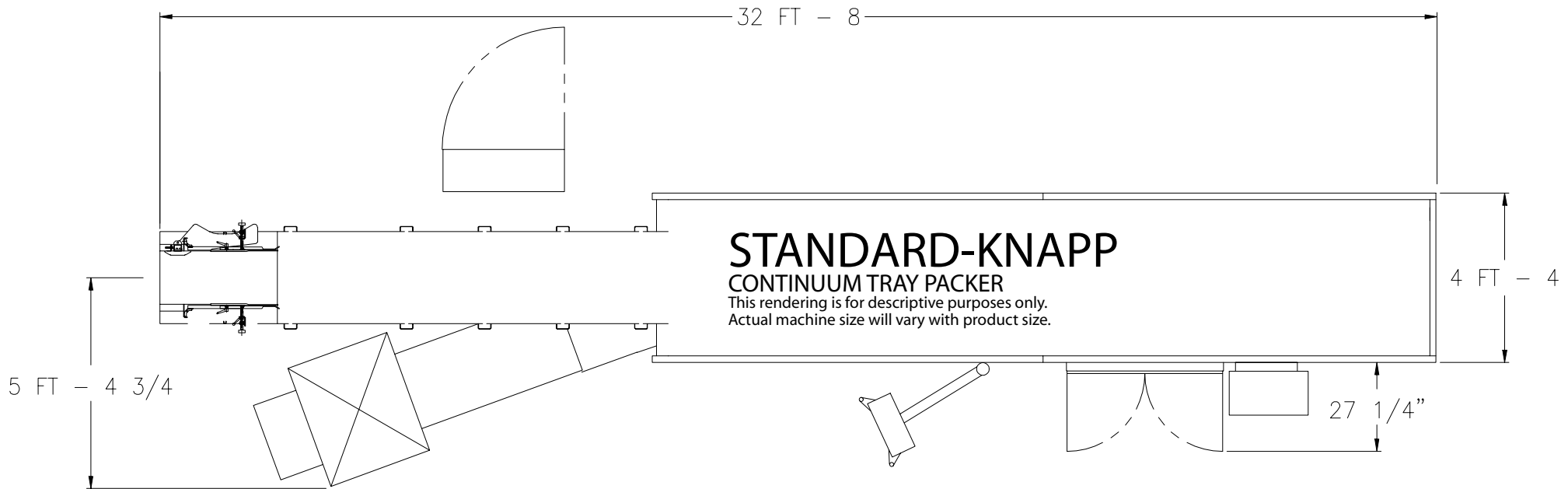


D-296170



NOTE:  
This drawing and the subject matter thereof is the exclusive property of Standard-Knapp, Inc. and is to be treated by you as confidential proprietary information. This drawing, or the subject matter thereof, shall not be duplicated or disclosed to others, without the express written consent of Standard-Knapp and will be returned to Standard-Knapp upon request.

MATERIAL & FINISHED SIZE				COMPONENT PART	-	TITLE		CONTINUUM TRAY PACKER	
FINISHED PART				MARK PART NO. AT LOCATION	⊗	SCALE	DWG NO.	DATE	2/5/07
TREATMENT				MARK PART NO. AT LOCATION	⊗	DRAWN BY		STANGER	DATE
FINISH & TOLERANCES UNLESS OTHERWISE SPECIFIED: DECIMAL DIMENSIONS (+/- .000) TWO PLACE DECIMALS (+/- 1/64) FRACTIONAL DIMENSIONS (+/- 1/64) ANGLES (+/- 1 DEGREE) UNFINISHED SURFACES (+/- 1/16) MACHINED FINISHES (125 MICRO INCH) THREADS (CLASS 2 FIT) Ⓚ SYMBOL DENOTES CRITICAL DIMENSIONS				REVISIONS		APPROVED BY		DATE	
LTR	DESCRIPTION	ECN#	BY	DATE					

