

# NEW Continuum™



***Continuous Motion  
Shrink Wrapper***

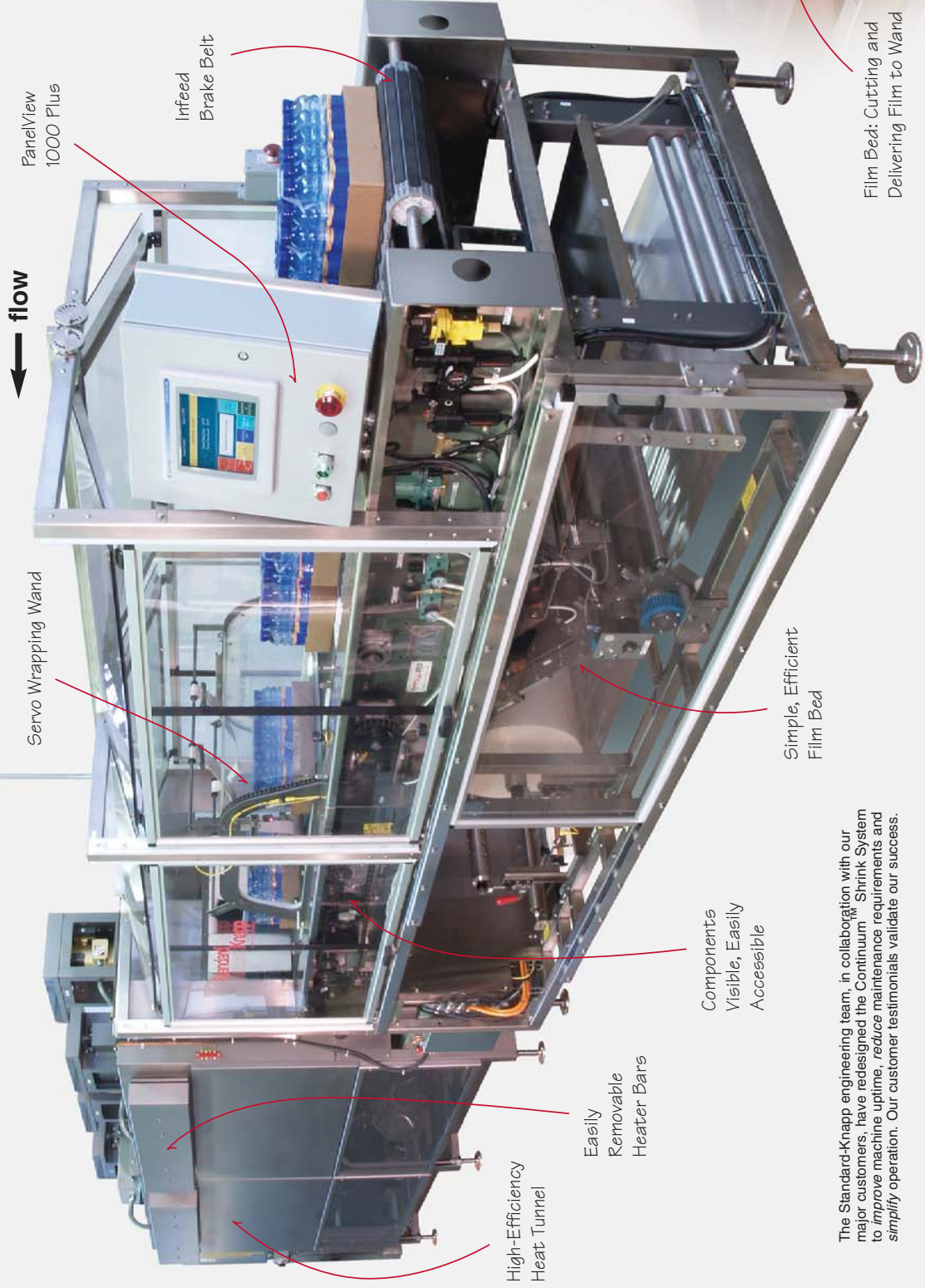


**StandardKnapp**



**StandardKnapp**

# Continuum™ Shrink Wrapper



← flow

PanelView  
1000 Plus

Infeed  
Brake Belt

Servo Wrapping Wand

High-Efficiency  
Heat Tunnel

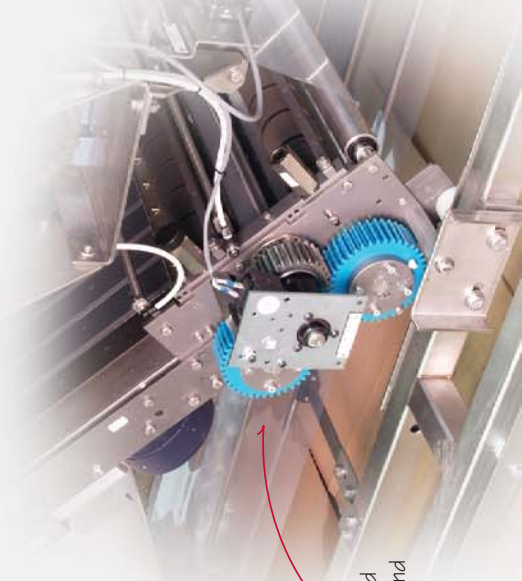
Easily  
Removable  
Heater Bars

Components  
Visible, Easily  
Accessible

Simple, Efficient  
Film Bed

Film Bed: Cutting and  
Delivering Film to Wand

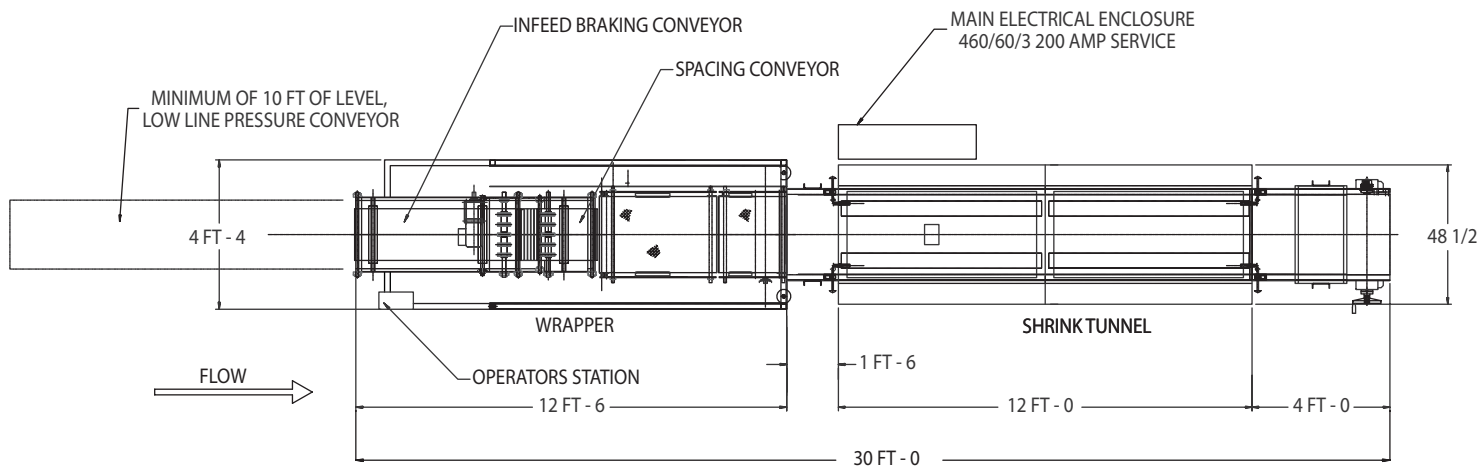
- **Continuum™ Benefits**
- **High reliability** – designed for 24/7 operation
- **Simple operation** and intuitive operator interface
- **Easy walk-by maintenance** – all components are visible and accessible
- Positive infeed metering system
- **Smart innovation** including an “on demand” servo wrapping wand
- **Flexible and adaptable** to future applications
- **Quality fit and finish** – robust construction



The Standard-Knapp engineering team, in collaboration with our major customers, have redesigned the Continuum™ Shrink System to improve machine uptime, reduce maintenance requirements and simplify operation. Our customer testimonials validate our success.



Continuum™ Servo Wrapping Wand



## Continuum™ Floor Plan

### Specifications\*

**Model:** 596s  
**Speeds:** 60, 80 TPM  
**Controls:** Allen-Bradley ControlLogix  
**Servo Drives:** Ultra 3000 or Kinetics  
**Interface (HMI):** PanelView 1000 Plus  
**Electrical Supply:** 200 AMP drop  
**Air Supply:** 80 psi with 1/2 NPT

**Motors:**  
**Main drive:** 2 HP  
**Tunnel:** 2 HP  
**Wrapper:** Servo  
**Film Feed:** Servo  
**Infeed Metering:** Powerflex 40 VFD

\* Standard-Knapp is committed to continuous product improvement. Specifications are subject to change without notice.



# StandardKnapp

### STANDARD-KNAPP, INC.

63 Pickering Street, Portland, CT 06480 U.S.A.

**SALES PHONE:** (860) 342-1100, ext. 239

**SALES FAX:** (860) 342-1557

**EMAIL:** info@standard-knapp.com

**WEB SITE:** www.standard-knapp.com