

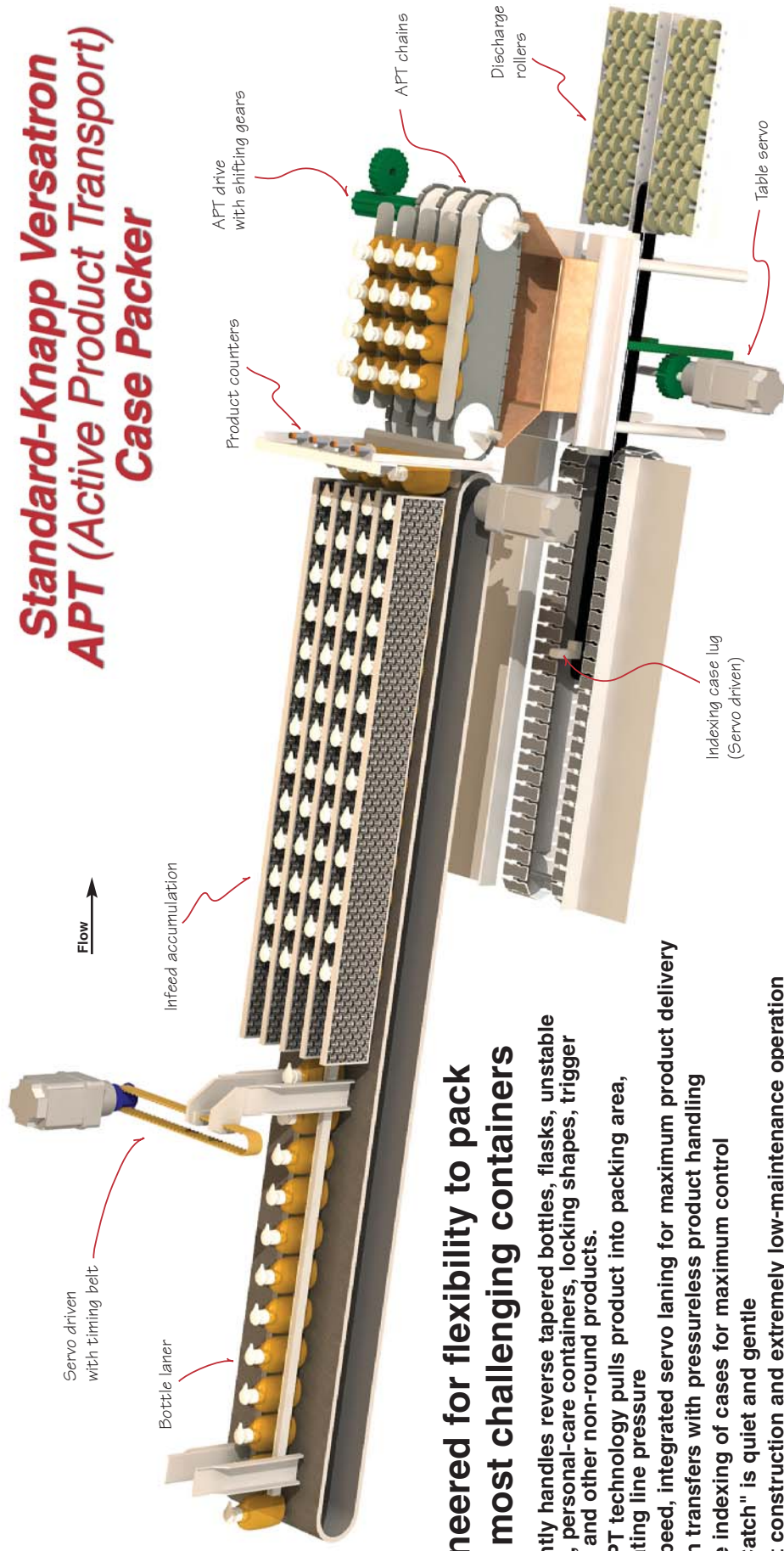
# Versatron APT Case Packer

For non-round and difficult-shaped containers



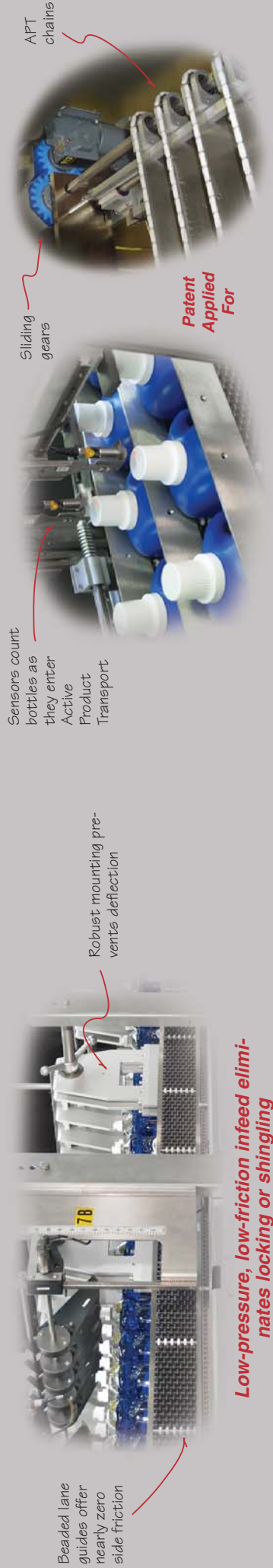
**StandardKnapp**

# Standard-Knapp Versatron APT (Active Product Transport) Case Packer



## Engineered for flexibility to pack your most challenging containers

- Efficiently handles reverse tapered bottles, flasks, unstable bottles, personal-care containers, locking shapes, trigger bottles and other non-round products.
- New APT technology pulls product into packing area, eliminating line pressure
- High-speed, integrated servo laning for maximum product delivery
- Smooth transfers with pressureless product handling
- Precise indexing of cases for maximum control
- "Soft Catch" is quiet and gentle
- Robust construction and extremely low-maintenance operation



Beaded lane guides offer nearly zero side friction

Robust mounting prevents deflection

Sensors count bottles as they enter Active Product Transport

Indexing case lug (Servo driven)

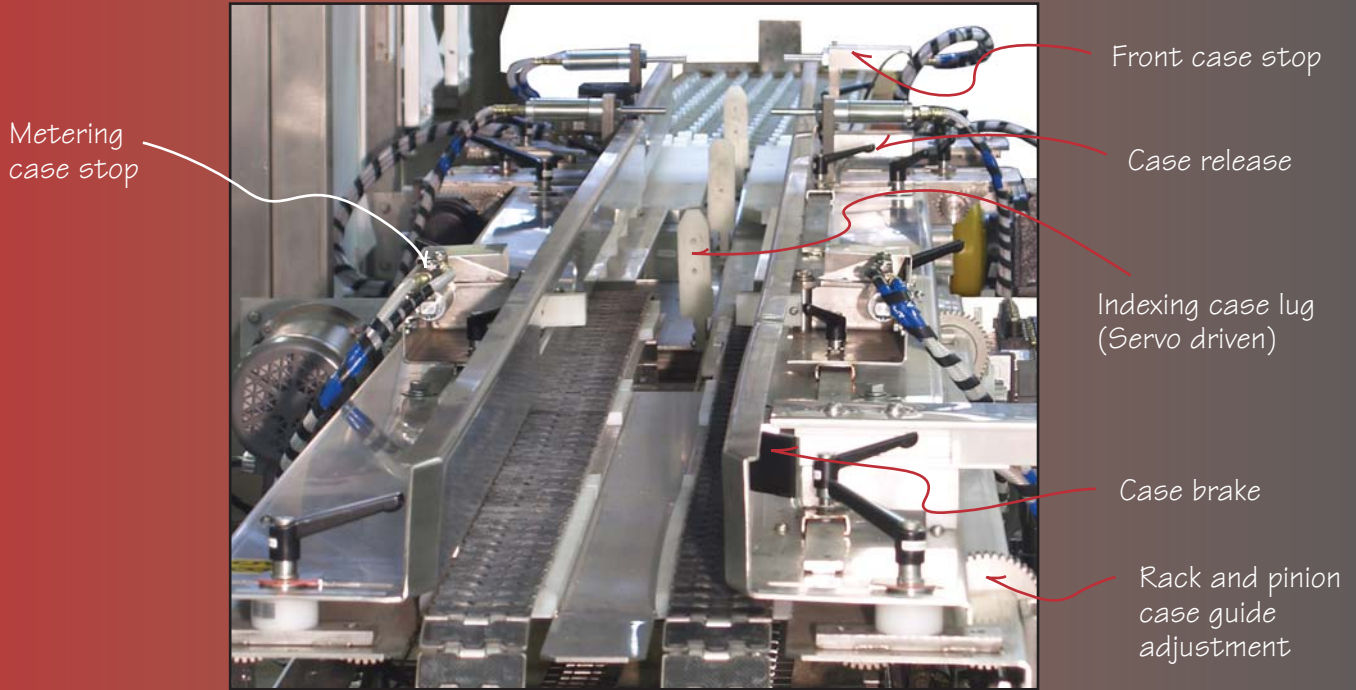
Sliding gears

Patent Applied For

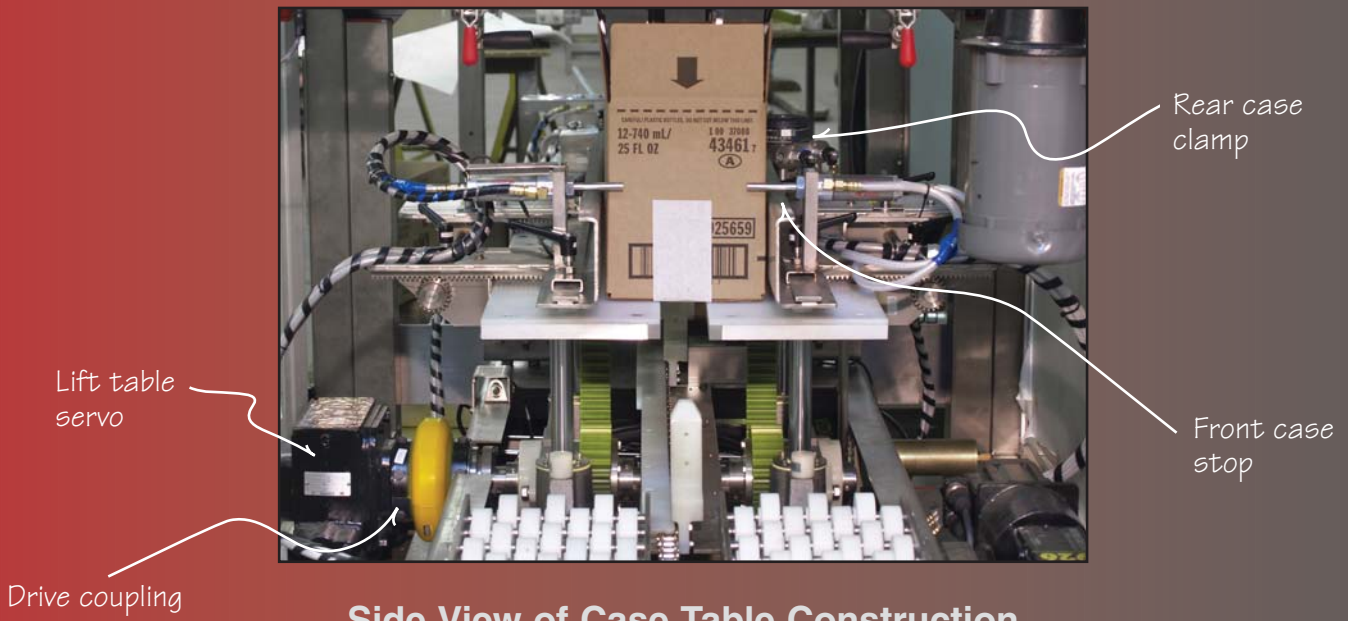
APT chains

Low-pressure, low-friction infeed eliminates locking or shingling

### Downstream view of case feed



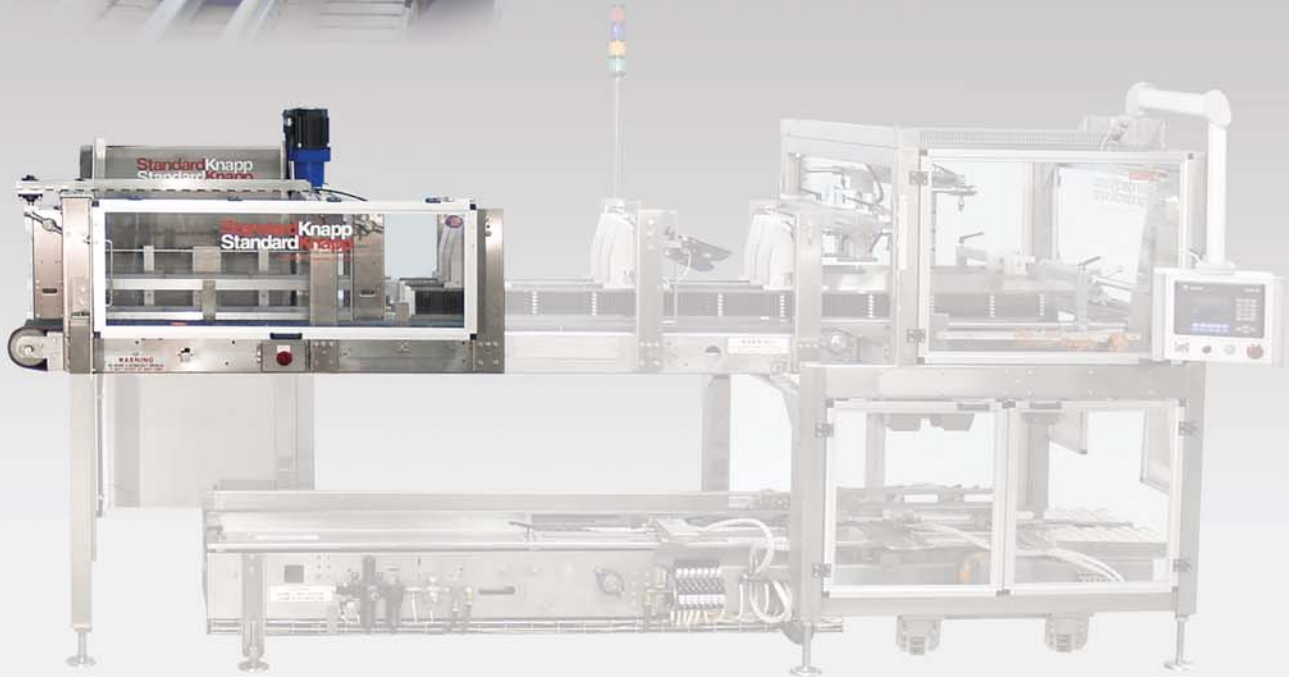
### End View of Case Table



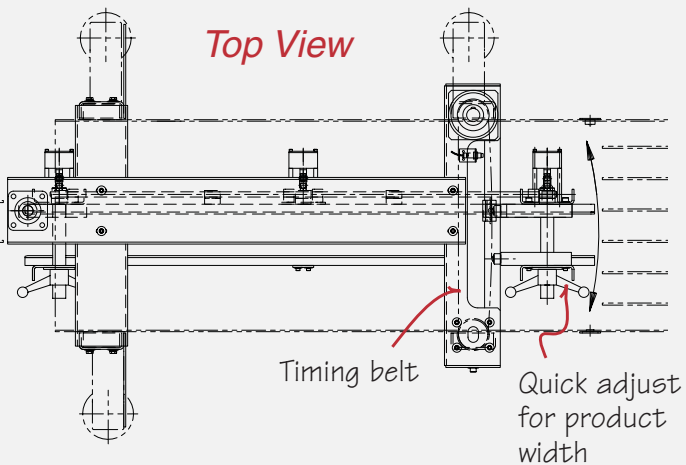
### Side View of Case Table Construction



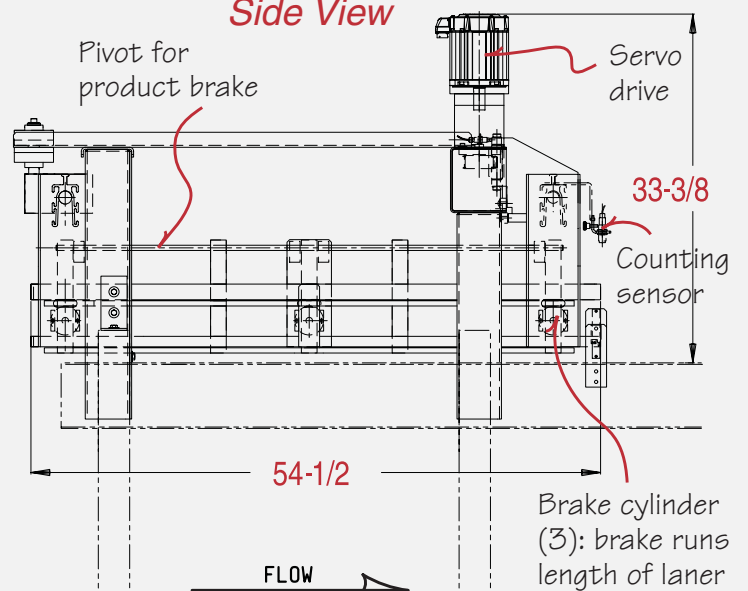
# Product Laner Section, Integrated to Packer Infeed



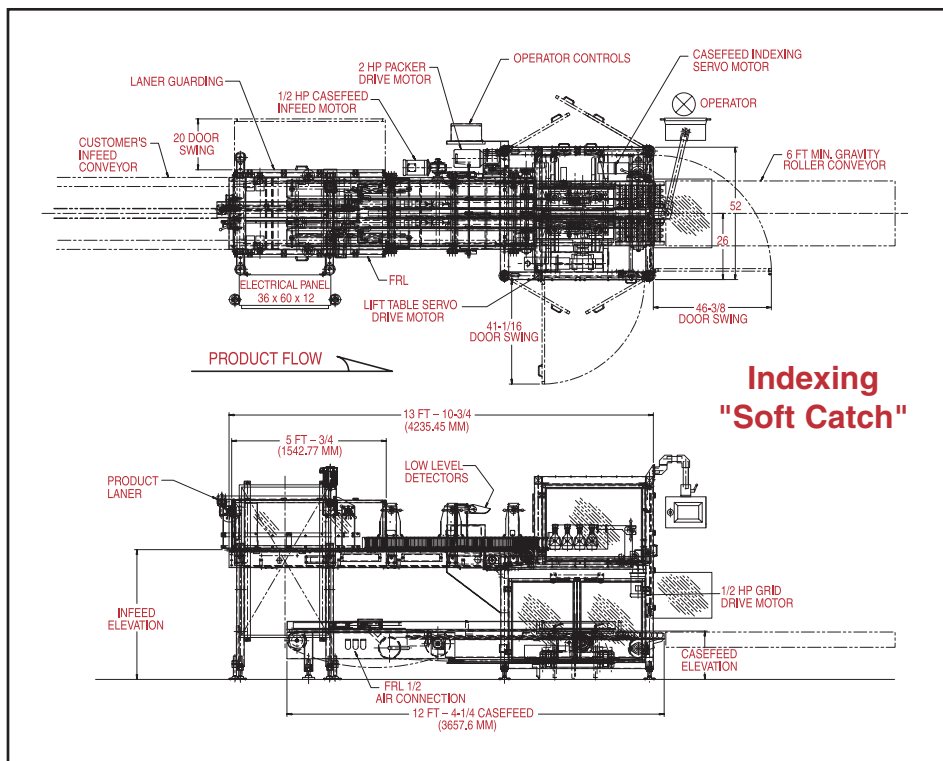
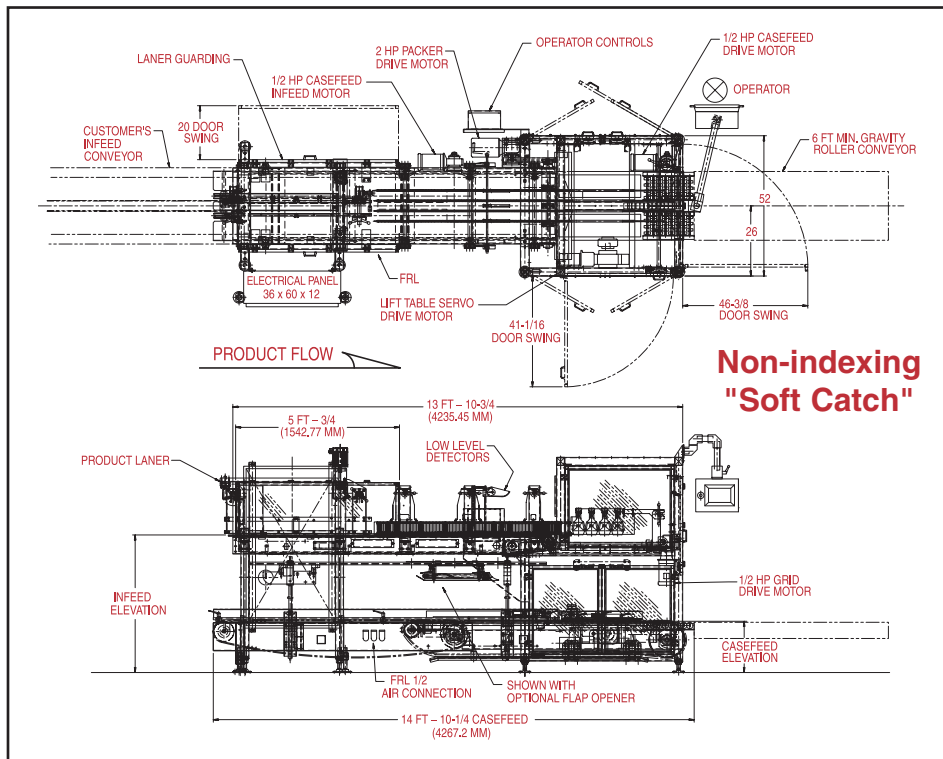
Top View



Side View



# Versatron APT Floor Plan



## Specifications\*\*

Model	939s APT Non-indexing Case Feed	939s APT Indexing Case Feed
<b>Speeds:*</b> 1 case/cycle 2-4 cases/cycle	28 cpm 40 cpm	45 cpm 75 cpm
<b>Product Types:</b>	designed for the difficult to handle products (non-round, locking shapes, unstable, or reversed tapered)	
<b>Product Materials:</b>	PET, HDPE, glass, cartons, metal cans, fiber board, etc.	
<b>Product Sizes:</b>	4 oz. to 128 oz.	
<b>Pack Patterns:</b>	1 lane up to 8 lanes	
<b>Pack Handling:</b>	loose containers or multipacks	
<b>Case Types:</b>	corrugated, HSC, RSC, tablock, tray, bliss case, partitions, basket carrier, plastic case	
<b>Machine Construction:</b>	stainless and mild steel	stainless steel
<b>Infeed Laning:</b>	optional integrated servo laner	
<b>Product Stops:</b>	overhead brake, lift & shear, or side stop (product dependent)	
<b>Case Feed:</b>	rubber friction belt	active with indexing servo
<b>Motors:</b> infeed casefeed case timing lift table bottle laner APT	1 HP with VFD 1 HP with VFD case feed Mosier cyl. servo drive 1 HP with VFD	1 HP with VFD 1 HP with VFD servo drive servo drive servo drive 1 HP with VFD
<b>Controls:</b>	SLC 500	ControlLogic
<b>Control Voltage:</b>	24 volts DC other quoted	
<b>Main Panel:</b>	NEMA 12 mounted to frame	
<b>Operator Interface:</b>	PanelView 550 (other quoted)	
<b>Air Required:</b>	60 psi	
<i>*Speeds in brochure are maximum speeds only and could vary depending on products and trays.</i>		

\*\* Standard-Knapp is committed to continuous product improvement. Specifications subject to change without notice.



**STANDARD-KNAPP, INC.**  
 63 Pickering Street, Portland, CT 06480 U.S.A.  
 Sales Phone: (860) 342-1100, ext. 239  
 Sales Fax: (860) 342-1557  
 Email: sales@standard-knapp.com  
 Web Site: www.standard-knapp.com